

CORPUS INFORMATION FORM

Name of the Corpus: CCC-AC2006 (Affective Computing 2006)

IPR Holder: Chinese Corpus Consortium (CCC)

Corpus Name: Nice Pose Faces (CCC_AC2006_NPF)

Check (x) or fill in the blank(____)if appropriate.

Purpose:

Face related (x)

Gesture related ()

Other, please specify _____

Quality:

Normal: 320 x 240 (x)

High quality ()

Other, please specify _____

Image Sources:

Digital Camera ()

miniDV with tape ()

USB Camera ()

Camera with capture card (x)

Other, please specify _____

Synthesis:

Yes() No(x)

Number of Channels:

One (x)

Two for stereo ()

Three for stereo ()

Other, please specify Nine fixed poses per people used for training, two arbitrary pose faces per people for testing and verification.

Corpus size:

500 subjects 500 x 9 (poses) + 500 x 2 (arbitrary pose)

A brief Description:

This corpus was designed for face related tasks, such as face recognition or emotion recognition. All of the images are captured in well designed and controlled experiments. The corpus contains two subsets:

1. Nine pose face database. In this database, 500 subjects are asked to gaze on the nine points on a wall one by one (Fig. 1). Nine images of the faces were shot when they are gazed on the points.

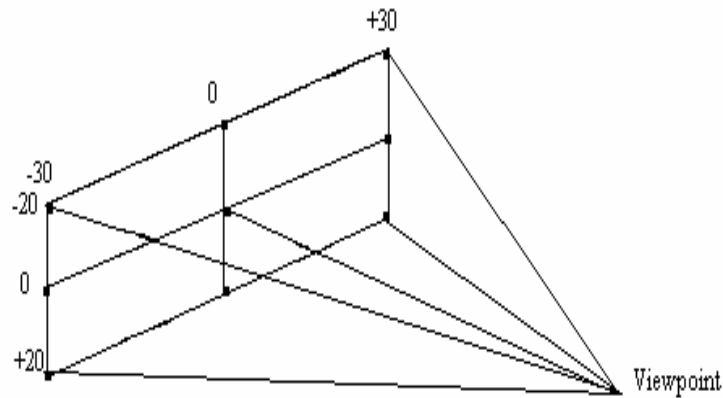


Fig. 1: Nine points on a wall

2. Two arbitrary pose face database. After the nine pose database is recorded, the subjects are asked to arbitrary gaze on a place, and a different place for record two images. This database can be used to evaluate and to verify the algorithms developed or trained based the nine pose database.

This corpus can also be used in any face related researches.

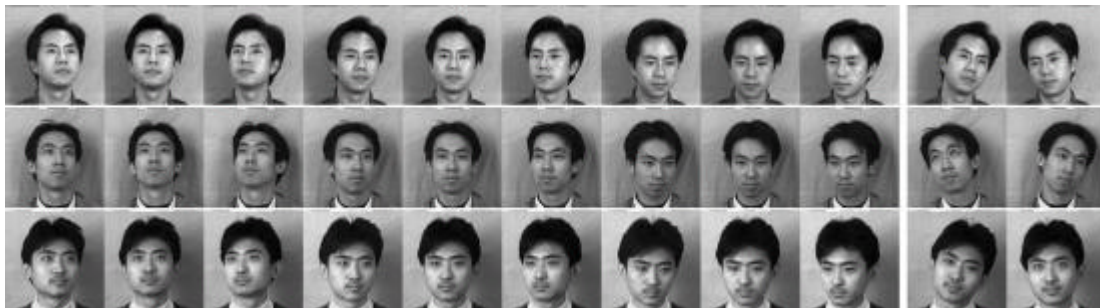


Fig. 2: 9+2 Poses Face database